



# **LECTURE-23**

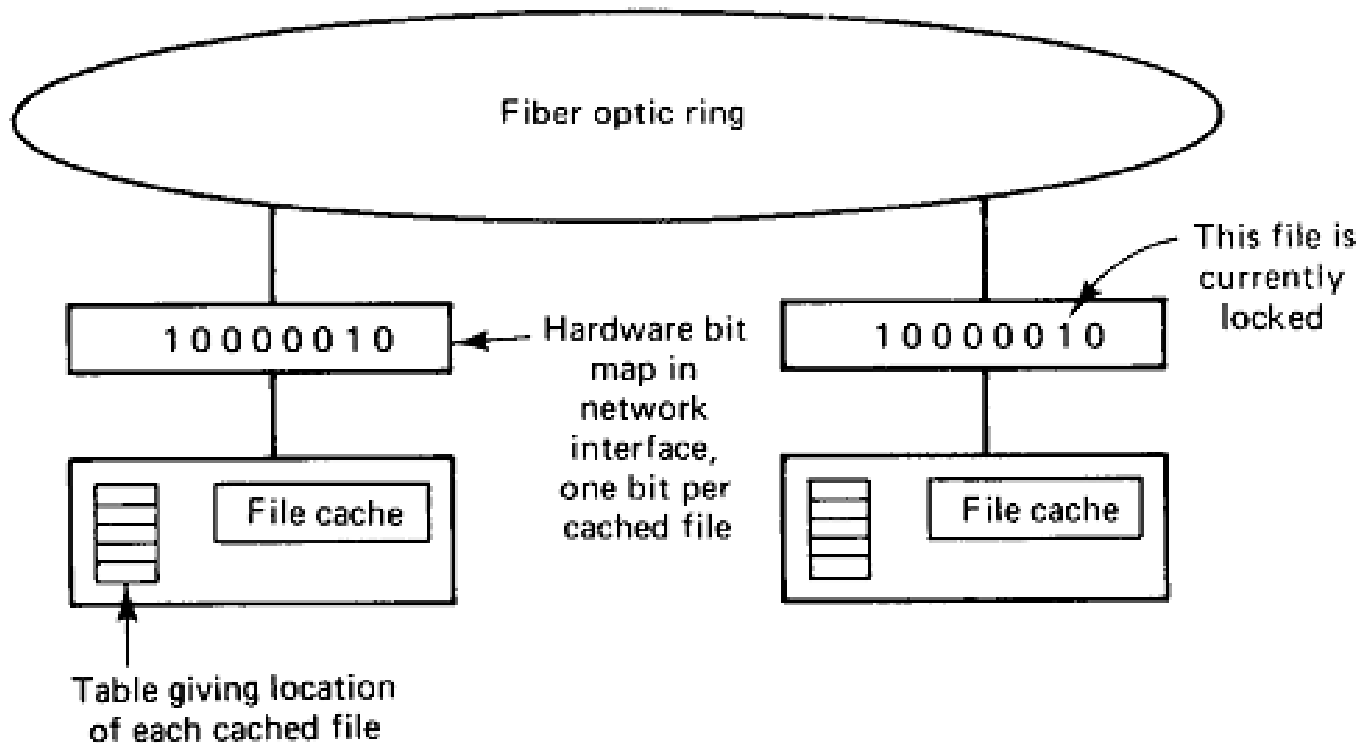
## **TRENDS IN DISTRIBUTED FILE SYSTEM**

# IV. Trends In Distributed File Systems

- Some Problem make changes in File System :
- New Hardware
- Scalability
- WAN
- Mobile Users
- Fault Tolerance
- Mulimedia

# New Hardware

- Well Designed Hardware can help solve problem :



# Scalability

- Distributed file systems is toward lager . Old algorithm may not work and may cause bottle neck problem
- A general way to solve this problem is partition the systems into smaller units which are relatively independent

# WAN

- Most current work now on distributed systems focuses on LAN-based systems but it will be interconnected to form transparent distributed systems covering countries and continent . So what kind of file system would be need to serve all the world ?
- A larger system lead to a large variety encounter for example what format one should use for files containing floating-pint numbers .

# Mobile Users

- Laptop ,pocket pc , smart phone can be found every where these days and they are multiplying like rabbits . However the connection may not good at all .
- And solution is based on caching.
- Remote control

# Fault Tolerance

- If the a system goes down for an hour there are many serious problem so the demand for systems that essentially never fail will grow.
- File replication become an essential requirement .

# Multimedia

- Real time conference , video on demand or multimedia will need completely different file system .



# ASSIGNMENT

- Q: What are the trends in distributed file system?